

Specification for Approval

PRODUCT NAME: RGS07064064BW003
PRODUCT NO.: 9915905000

CUSTOMER
APPROVED BY
DATE:

RITDISPLAY CORP. APPROVED

REVISION RECORD

REV.	REVISION DESCRIPTION	REV. DATE	REMARK
A01	■ INITIAL RELEASE	2007. 11. 12	

CONTENTS

ITEM	PAGE
1. SCOPE	4
2. WARRANTY	4
3. FEATURES	4
4. MECHANICAL DATA	5
5. MAXIMUM RATINGS	6
6. ELECTRICAL CHARACTERISTICS	7
6.1 D.C ELECTRICAL CHARACTERISTICS	
6.2 ELECTRO-OPTICAL CHARACTERISTICS	
7. INTERFACE	9
7.1 FUNCTION BLOCK DIAGRAM	
7.2 PANEL LAYOUT DIAGRAM	
7.3 PIN ASSIGNMENTS	
7.4 GRAPHIC DISPLAY DATA RAM ADDRESS MAP	
7.5 INTERFACE TIMING CHART	
8. POWER ON / OFF SEQUENCE & APPLICATION CIRCUIT	13
8.1 POWER ON / OFF SEQUENCE	
8.2 APPLICATION CIRCUIT	
8.3 COMMAND TABLE	
9. RELIABILITY TEST CONDITIONS	15
10. EXTERNAL DIMENSION	16
11. PACKING SPECIFICATION	17
12. APPENDIXES	18

1. SCOPE

The purpose of this specification is to define the general provisions and quality requirements that apply to the supply of display cells manufactured by RiTdisplay. This document, together with the Module Assembly Drawing, is the highest-level specification for this product. It describes the product, identifies supporting documents and contains specifications.

2. WARRANTY

RiTdisplay warrants that the products delivered pursuant to this specification (or order) will conform to the agreed specifications for twelve (12) months from the shipping date ("Warranty Period"). RiTdisplay is obligated to repair or replace the products which are found to be defective or inconsistent with the specifications during the Warranty Period without charge, on condition that the products are stored or used as the conditions specified in the specifications. Nevertheless, RiTdisplay is not obligated to repair or replace the products without charge if the defects or inconsistency are caused by the force majeure or the reckless behaviors of the customer.

After the Warranty Period, all repairs or replacements of the products are subject to charge.

3. FEATURES

- Small molecular organic light emitting diode.
- Color : Blue
- Panel resolution : 64*64
- Driver IC : SSD1305
- Excellent Quick response time : 10 μ s
- Extremely thin thickness for best mechanism design : 1.41 mm
- High contrast : 2000:1
- Wide viewing angle : 160°
- Strong environmental resistance.
- 8-bit 6800-series Parallel Interface, 8-bit 8080-series Parallel Interface, Serial Peripheral Interface.
- Wide range of operating temperature : -40 to 70°C
- Anti-glare polarizer.

4. MECHANICAL DATA

NO	ITEM	SPECIFICATION	UNIT
1	Dot Matrix	64 x 64	dot
2	Dot Size	0.175 (W) x 0.175 (H)	mm ²
3	Dot Pitch	0.195 (W) x 0.195 (H)	mm ²
4	Aperture Rate	80.5	%
5	Active Area	12.46 (W) x 12.46 (H)	mm ²
6	Panel Size	20 (W) x 20 (H)	mm ²
7	Panel Thickness	1.41 ± 0.1	mm
8	Module Size	20 (W) x 33 (H) x 1.41 (T)	mm ³
9	Diagonal A/A size	0.7	inch
10	Module Weight	1.2 ± 10%	gram

5. MAXIMUM RATINGS

ITEM	MIN	MAX	UNIT	Condition	Remark
Supply Voltage (V_{DD})	-0.3	3.5	V	$T_a = 25^{\circ}\text{C}$	IC maximum rating
Supply Voltage (V_{CC})	8	16	V	$T_a = 25^{\circ}\text{C}$	IC maximum rating
Operating Temp.	-40	70	$^{\circ}\text{C}$		
Storage Temp	-40	85	$^{\circ}\text{C}$		
Humidity		85	%		
Life Time	6,600	-	Hrs	120 cd/m^2 , 50% checkerboard	Note (1)
Life Time	8,000	-	Hrs	100 cd/m^2 , 50% checkerboard	Note (2)
Life Time	10,000	-	Hrs	80 cd/m^2 , 50% checkerboard	Note (3)

Note:

(A) Under $V_{CC} = 12\text{V}$, $T_a = 25^{\circ}\text{C}$, 50% RH.

(B) Life time is defined the amount of time when the luminance has decayed to less than 50% of the initial measured luminance.

(1) Setting of 120 cd/m^2 :

- Contrast setting : 0x95
- Frame rate : 85Hz
- Duty setting : 1/64

(2) Setting of 100 cd/m^2 :

- Contrast setting : 0x73
- Frame rate : 85Hz
- Duty setting : 1/64

(3) Setting of 80 cd/m^2 :

- Contrast setting : 0x54
- Frame rate : 85Hz
- Duty setting : 1/64

6. ELECTRICAL CHARACTERISTICS

6.1 D.C ELECTRICAL CHARACTERISTICS

SYMBOL	PARAMETERS	TEST CONDITION	MIN	TYP	MAX	UNIT
V_{CC}	Driver power supply (for OLED panel)		11.5	12	12.5	V
V_{DD}	Logic operating voltage		2.4	2.7	3.5	V
V_{DDIO}	I/O voltage power supply		1.6	1.8	V_{DD}	V
I_{DD}	Operating current for V_{DD} $V_{DD} = 2.7V$, $V_{CC} = 12V$, $I_{REF} = 10\mu A$ No loading, All Display ON	Contrast=FF	-	100	300	μA
I_{CC}	Operating current for V_{CC} $V_{DD} = 2.7V$, $V_{CC} = 12V$, $I_{REF} = 10\mu A$, No loading, All Display ON	Contrast=FF	-	550	1000	μA
V_{IH}	Hi logic input level		0.8* V_{DDIO}	-	V_{DDIO}	V
V_{IL}	Low logic input level		0	-	0.2* V_{DDIO}	V
V_{OH}	Hi logic output level		0.9* V_{DDIO}	-	V_{DDIO}	V
V_{OL}	Low logic output level		0	-	0.1* V_{DDIO}	V
I_{SEG}	Segment on output current $V_{DD}=2.7V$, $V_{CC}=12V$, $I_{REF}=10\mu A$, Display on (No panel attached)	Contrast=FF	294	320	346	
		Contrast=AF	-	220	-	μA
		Contrast=7F	-	159	-	μA
		Contrast=3F	-	79	-	μA
		Contrast=0F	-	19	-	μA

6.2 ELECTRO-OPTICAL CHARACTERISTICS

PANEL ELECTRICAL SPECIFICATIONS

PARAMETER	MIN	TYP.	MAX	UNITS	COMMENTS
Normal mode current consumption	-	5	7	mA	All pixels on
Standby mode current consumption	-	0.5	1	mA	Standby mode 10% pixels on
Normal mode power consumption	-	60	84	mW	All pixels on
Standby mode power consumption	-	6	12	mW	Standby mode 10% pixels on
Pixel Luminance	80	100		cd/m ²	Display Average
Standby Luminance		25		cd/m ²	
CIE _x (Blue)	0.10	0.14	0.18		CIE1931
CIE _y (Blue)	0.20	0.24	0.28		CIE1931
Dark Room Contrast	2000:1				
Viewing Angle	160			degree	
Response Time		10		μs	

Normal mode condition :

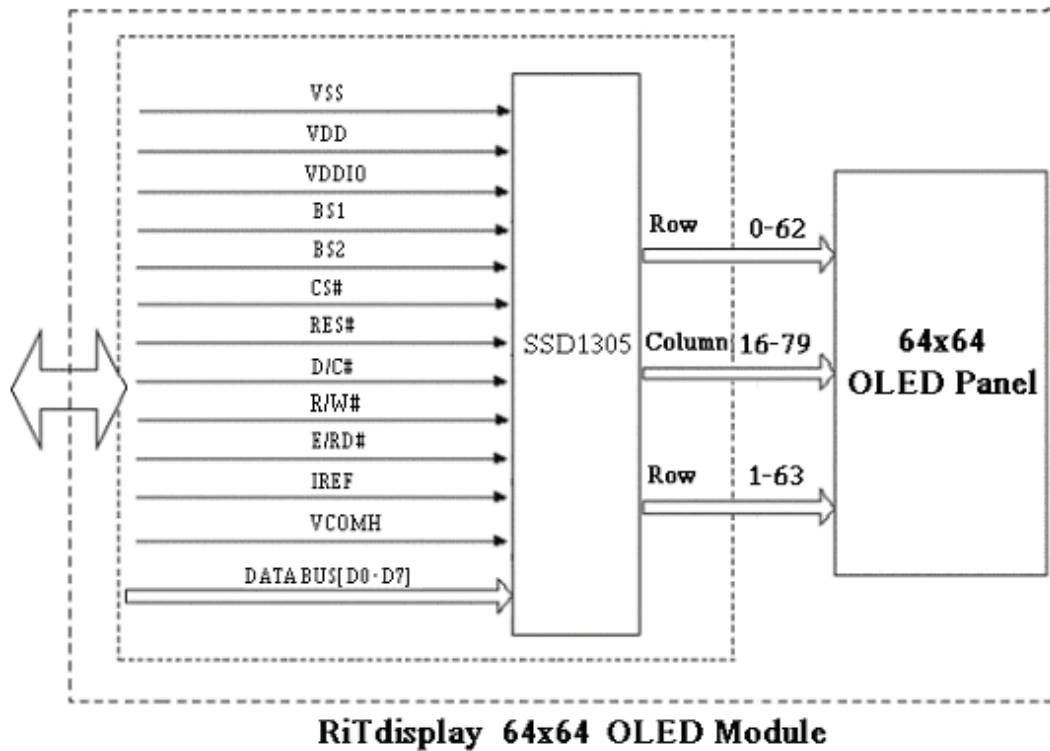
- Driving Voltage : 12V
- Contrast setting : 0x73
- Frame rate : 85Hz
- Duty setting : 1/64

Standby mode condition :

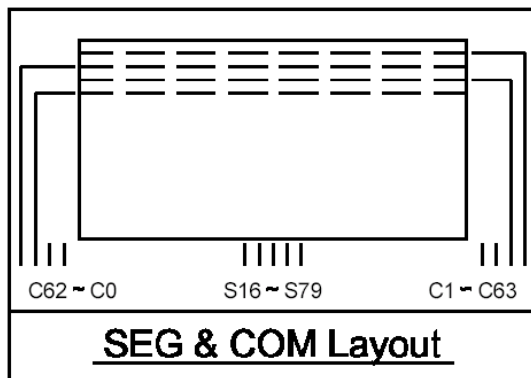
- Driving Voltage : 12V
- Contrast setting : 0x05
- Frame rate : 85Hz
- Duty setting : 1/64

7. INTERFACE

7.1 FUNCTION BLOCK DIAGRAM



7.2 PANEL LAYOUT DIAGRAM



7.3 PIN ASSIGNMENTS

PIN NAME	PIN NO.	DESCRIPTION
NC	1	No connection
VSS	2	Ground.
NC	3	No connection
VDD	4	Digital voltage power supply.
VDDIO	5	I/O voltage power supply.
BS1	6	Interface selection.
BS2	7	
FR	8	It should be kept NC.
CS#	9	This pin is the chip select input.(active LOW)
RES#	10	This pin is reset signal input.
D/C#	11	Data/command control. H: Data; L: Command.
R/W#	12	8080: data write enable pin; 6800: Read/Write select pin.
E/RD#	13	8080: data read enable pin; 6800: Read/Write enable pin.
D0	14	8-bit data bus.
D1	15	8-bit data bus.
D2	16	8-bit data bus.
D3	17	8-bit data bus.
D4	18	8-bit data bus.
D5	19	8-bit data bus.
D6	20	8-bit data bus.
D7	21	8-bit data bus.
IREF	22	This pin is output current reference pin. A resistor should be connected between this pin and VSS
VCOMH	23	This pin is com voltage output. A capacitor should be connected between this pin and VSS.
VCC	24	Analog power supply.
NC	25	No connection

7.4 GRAPHIC DISPLAY DATA RAM ADDRESS MAP

The GDDRAM is a bit mapped static RAM holding the bit pattern to be displayed. The size of the RAM is 132x64= 8448bits.

For mechanical flexibility, re-mapping on both Segment and Common outputs can be selected by software.

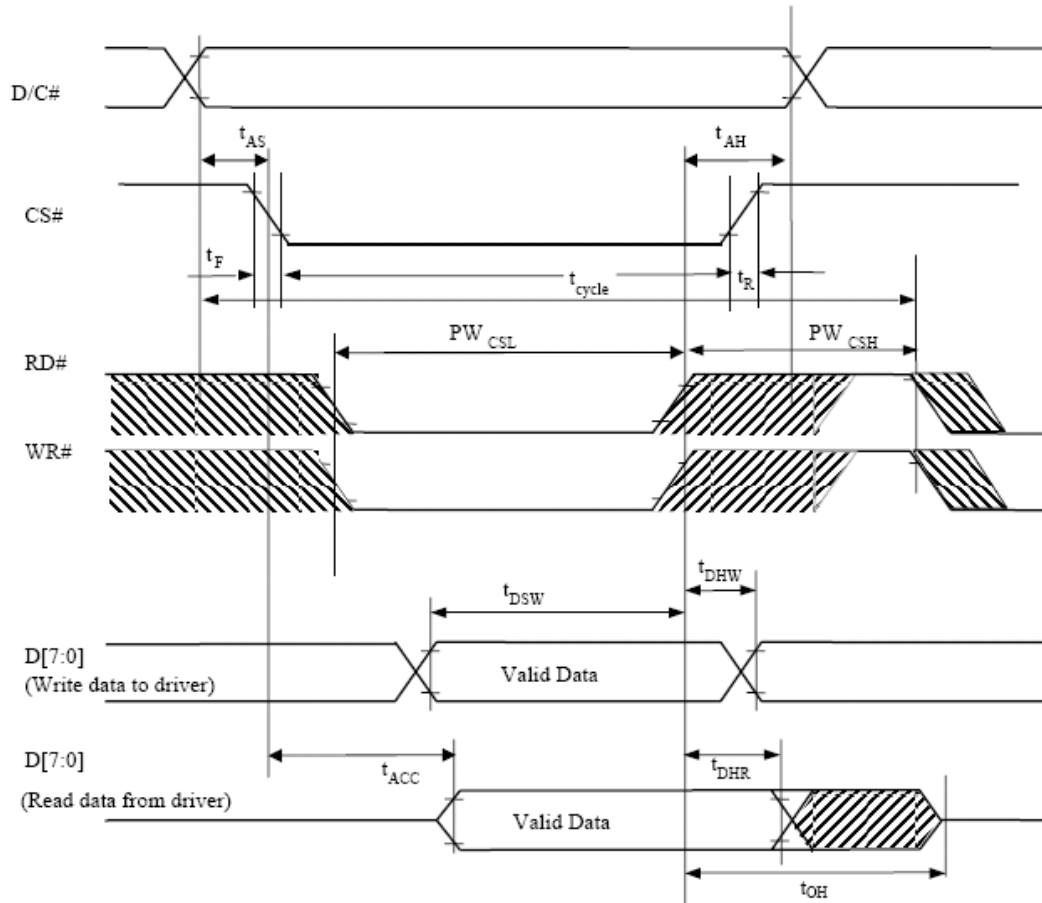
OUT	Row Address			OUT	Column Address												
	Direction='1'	Direction='0'			Remap='0'	Remap='1'	SEG0	SEG1	SEG2	SEG3	SEG4	SEG5	SEG6	SEG7			
COM0	0x3Fh	0x00h	PAGE 0	D0													
COM1	0x3Eh	0x01h		D1													
COM2	0x3Dh	0x02h		D2													
COM3	0x3Ch	0x03h		D3													
COM4	0x3Bh	0x04h		D4													
COM5	0x3Ah	0x05h		D5													
COM6	0x39h	0x06h		D6													
COM7	0x38h	0x07h		D7													
COM8	0x37h	0x08h	PAGE 1	D0													
COM9	0x36h	0x09h		D1													
COM10	0x35h	0x0Ah		D2													
COM11	0x34h	0x0Bh		D3													
COM12	0x33h	0x0Ch		D4													
COM13	0x32h	0x0Dh		D5													
COM14	0x31h	0x0Eh		D6													
COM15	0x30h	0x0Fh		D7													
COM16	0x2Fh	0x10h	PAGE 2	D0													
COM17	0x2Eh	0x11h		D1													
COM18	0x2Dh	0x12h		D2													
COM19	0x2Ch	0x13h		D3													
COM20	0x2Bh	0x14h		D4													
COM21	0x2Ah	0x15h		D5													
COM22	0x29h	0x16h		D6													
COM23	0x28h	0x17h		D7													
...																	
COM48	0x0Fh	0x30h	PAGE 6	D0													
COM49	0x0Eh	0x31h		D1													
COM50	0x0Dh	0x32h		D2													
COM51	0x0Ch	0x33h		D3													
COM52	0x0Bh	0x34h		D4													
COM53	0x0Ah	0x35h		D5													
COM54	0x09h	0x36h		D6													
COM55	0x08h	0x37h		D7													
COM56	0x07h	0x38h	PAGE 7	D0													
COM57	0x06h	0x39h		D1													
COM58	0x05h	0x3Ah		D2													
COM59	0x04h	0x3Bh		D3													
COM60	0x03h	0x3Ch		D4													
COM61	0x02h	0x3Dh		D5													
COM62	0x01h	0x3Eh		D6													
COM63	0x00h	0x3Fh		D7													
...																	
::																	
SEG128																	
SEG129																	
SEG130																	
SEG131																	

7.5 INTERFACE TIMING CHART

($V_{DD} - V_{SS} = 2.4V$ to $3.5V$, $T_A = 25^\circ C$)

Symbol	Parameter	Min	Typ	Max	Unit
t_{cycle}	Clock Cycle Time	300	-	-	ns
t_{AS}	Address Setup Time	0	-	-	ns
t_{AH}	Address Hold Time	0	-	-	ns
t_{DSW}	Write Data Setup Time	40	-	-	ns
t_{DHW}	Write Data Hold Time	7	-	-	ns
t_{DHR}	Read Data Hold Time	20	-	-	ns
t_{OH}	Output Disable Time	-	-	70	ns
t_{ACC}	Access Time	-	-	140	ns
PW_{CSL}	Chip Select Low Pulse Width (read)	120	-	-	ns
	Chip Select Low Pulse Width (write)	60	-	-	ns
PW_{CSH}	Chip Select High Pulse Width (read)	60	-	-	ns
	Chip Select High Pulse Width (write)	60	-	-	ns
t_R	Rise Time	-	-	15	ns
t_F	Fall Time	-	-	15	ns

Figure 13-2 : 8080-series MCU parallel interface characteristics



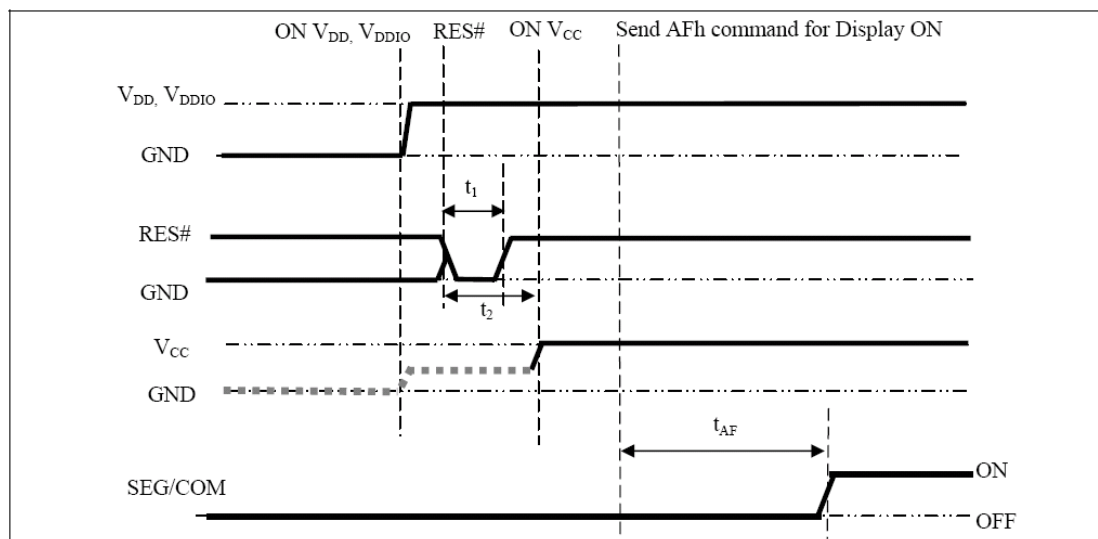
8080-series MPU parallel interface characteristics

8. POWER ON / OFF SEQUENCE & APPLICATION CIRCUIT

8.1 POWER ON / OFF SEQUENCE

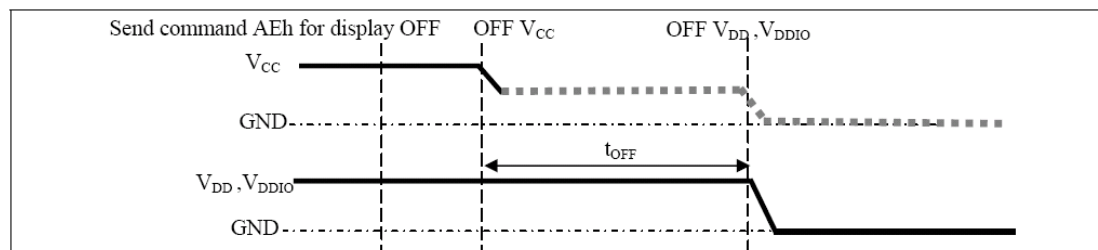
Power ON sequence:

1. Power ON V_{DD} , V_{DDIO} .
2. After V_{DD} , V_{DDIO} become stable, set RES# pin LOW (logic low) for at least $3\mu s(t_1)$ and then HIGH (logic high).
3. After set RES# pin LOW (logic low), wait for at least $3\mu s(t_2)$. Then Power ON V_{CC} .(1)
4. After V_{CC} become stable, send command AFh for display ON. SEG/COM will be ON after $100ms(t_{AF})$.



Power OFF sequence:

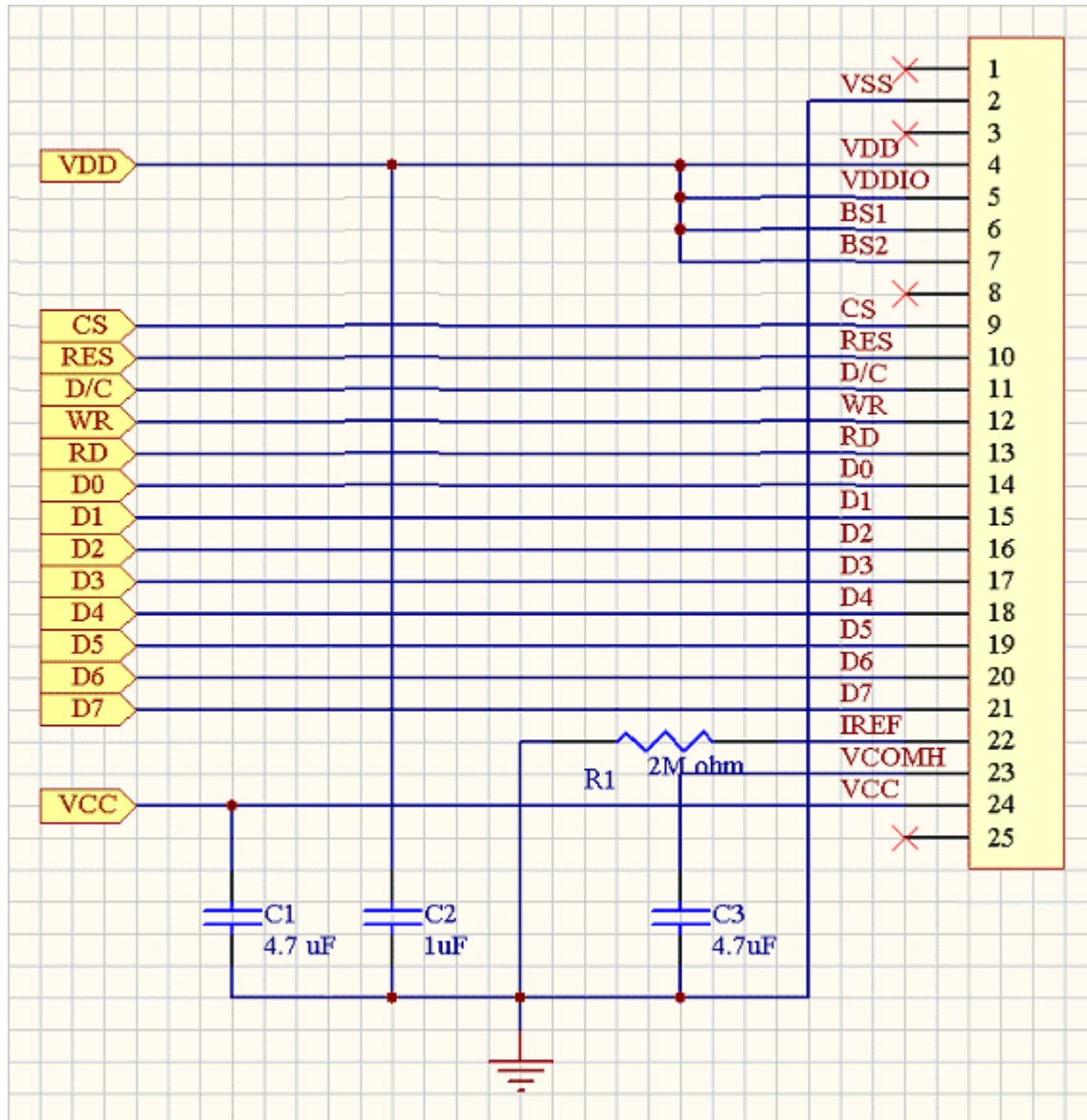
1. Send command AEh for display OFF.
2. Power OFF V_{CC} . (1), (2)
3. Wait for t_{OFF} . Power OFF V_{DD} , V_{DDIO} . (where Minimum $t_{OFF}=0ms$, Typical $t_{OFF}=100ms$)



Note:

- (1) Since an ESD protection circuit is connected between V_{DD} , V_{DDIO} and V_{CC} , V_{CC} becomes lower than V_{DD} whenever V_{DD} , V_{DDIO} is ON and V_{CC} is OFF as shown in the dotted line of V_{CC} in above figures.
- (2) V_{CC} should be disabled when it is OFF.

8.2 APPLICATION CIRCUIT



Component:

C1, C3: 4.7uF/25V

C2: 1uF/16V

R1: 2M ohm 1%

This circuit is for 8080 8 bits interface.

8.3 COMMAND TABLE

Refer to IC Spec.: SSD1305

9. RELIABILITY TEST CONDITIONS

No.	Items	Specification	Quantity
1	High temp. (Non-operation)	85°C, 240hrs	5
2	High temp. (Operation)	70°C, 120hrs	5
3	Low temp. (Operation)	-40°C, 120hrs	5
4	High temp. / High humidity (Operation)	65°C, 90%RH, 120hrs	5
5	Thermal shock (Non-operation)	-40°C ~85°C (-40°C /30min; transit /3min; 85°C /30min; transit /3min) 1cycle: 66min, 100 cycles	5
6	Vibration	Frequency : 5~50HZ, 0.5G Scan rate : 1 oct/min Time : 2 hrs/axis Test axis : X, Y, Z	1 Carton
7	Drop	Height: 120cm Sequence : 1 angle 、 3 edges and 6 faces Cycles: 1	1 Carton
8	ESD (Non-operation)	Air discharge model, ±8kV, 10 times	5

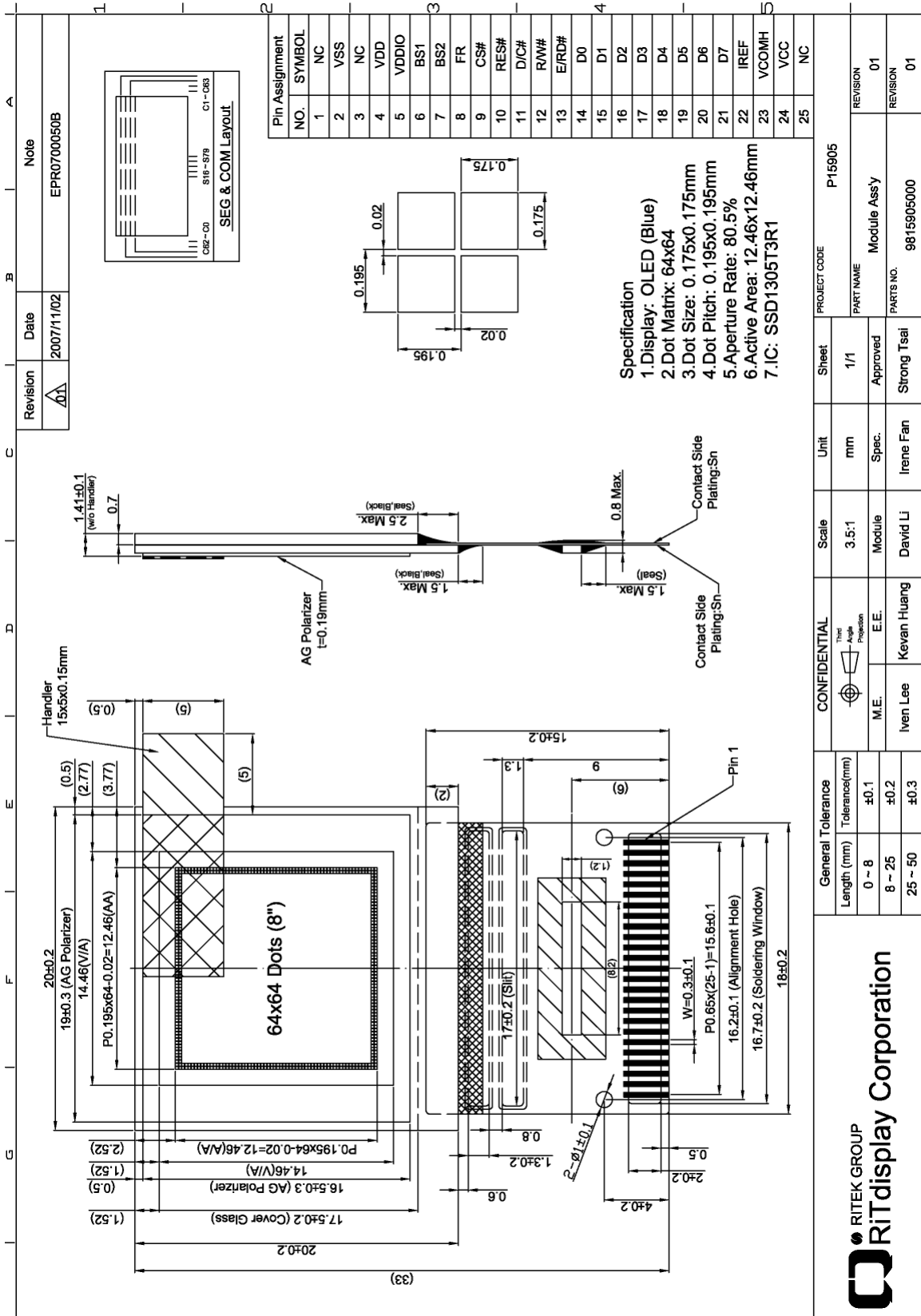
Test and measurement conditions

1. All measurements shall not be started until the specimens attain to temperature stability.
2. All-pixels-on is used as operation test pattern.
3. The degradation of Polarizer are ignored for item 1, 4 & 5.

Evaluation criteria

1. The function test is OK.
2. No observable defects.
3. Luminance: > 50% of initial value.
4. Current consumption: within ± 50% of initial value.

10. EXTERNAL DIMENSION



12. APPENDIXES

APPENDIX 1: DEFINITIONS

A. DEFINITION OF CHROMATICITY COORDINATE

The chromaticity coordinate is defined as the coordinate value on the CIE 1931 color chart for R, G, B, W.

B. DEFINITION OF CONTRAST RATIO

The contrast ratio is defined as the following formula:

$$\text{Contrast Ratio} = \frac{\text{Luminance of all pixels on measurement}}{\text{Luminance of all pixels off measurement}}$$

C. DEFINITION OF RESPONSE TIME

The definition of turn-on response time T_r is the time interval between a pixel reaching 10% of steady state luminance and 90% of steady state luminance. The definition of turn-off response time T_f is the time interval between a pixel reaching 90% of steady state luminance and 10% of steady state luminance. It is shown in Figure 2.

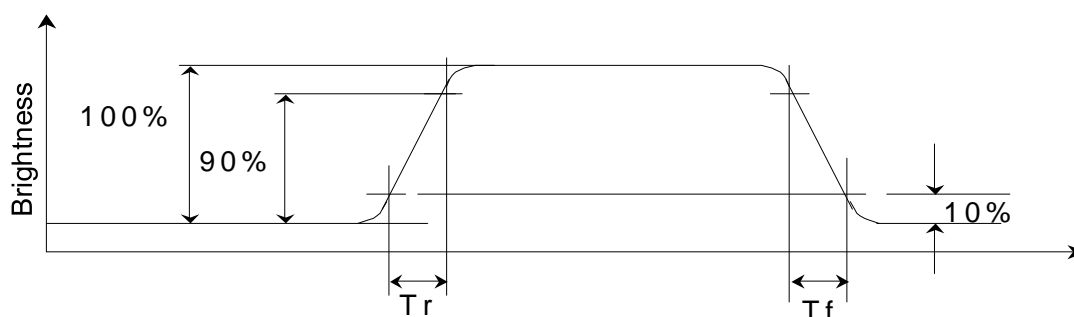


Figure 2 Response time

D. DEFINITION OF VIEWING ANGLE

The viewing angle is defined as Figure 3. Horizontal and vertical (H & V) angles are determined for viewing directions where luminance varies by 50% of the perpendicular value.

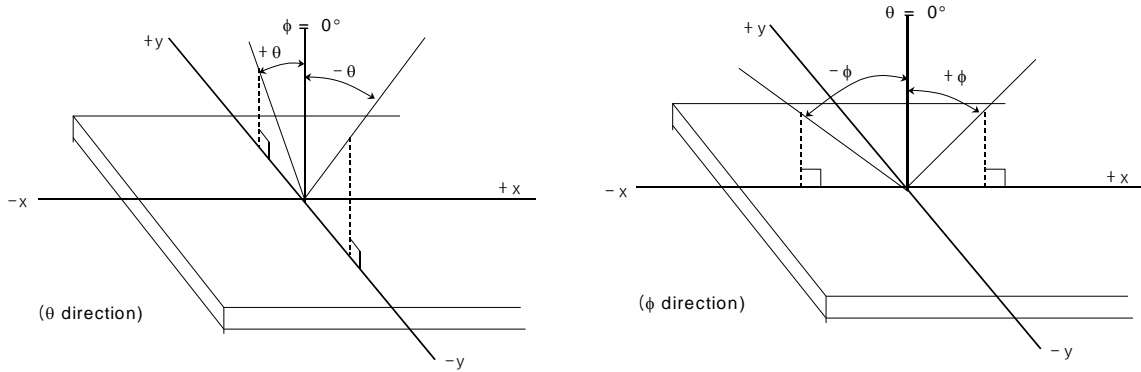
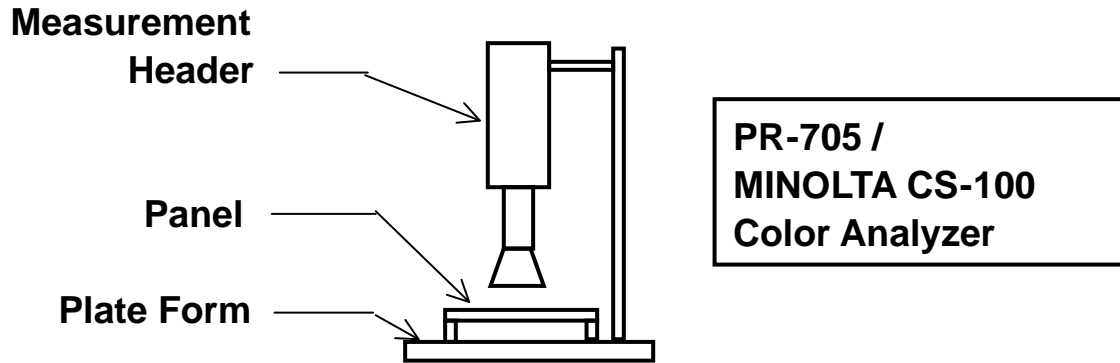


Figure 3 Viewing angle

APPENDIX 2: MEASUREMENT APPARATUS

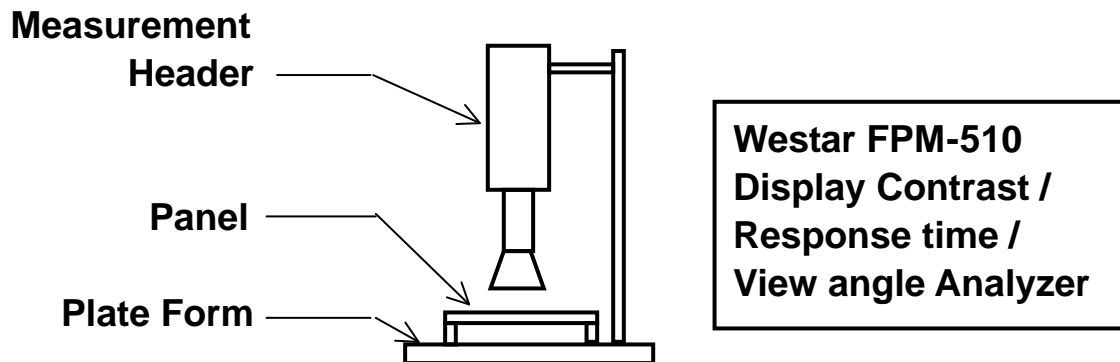
A. LUMINANCE/COLOR COORDINATE

PHOTO RESEARCH PR-705, MINOLTA CS-100

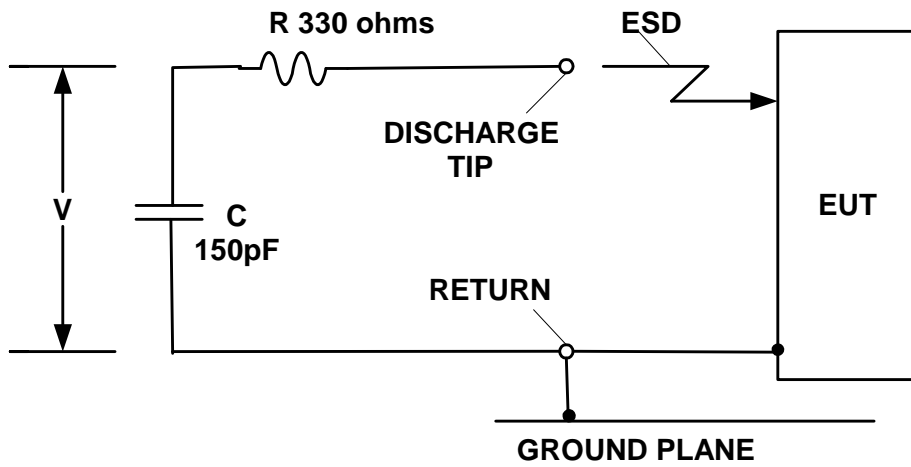


B. CONTRAST / RESPONSE TIME / VIEWING ANGLE

WESTAR CORPORATION FPM-510



C. ESD ON AIR DISCHARGE MODE



APPENDIX 3: PRECAUTIONS

A. RESIDUE IMAGE

Because the pixels are lighted in different time, the luminance of active pixels may reduce or differ from inactive pixels. Therefore, the residue image will occur. To avoid the residue image, every pixel needs to be lighted up uniformly.