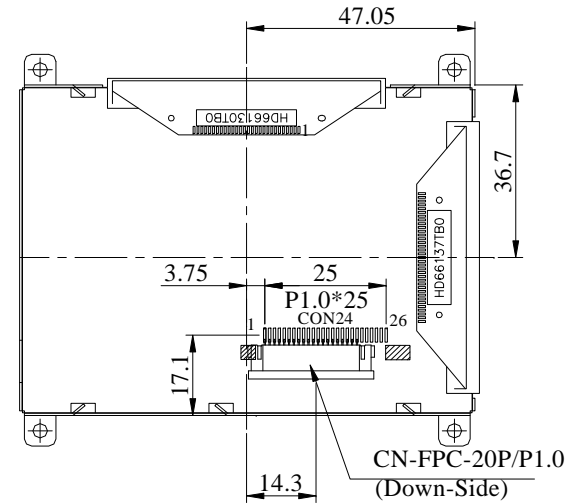
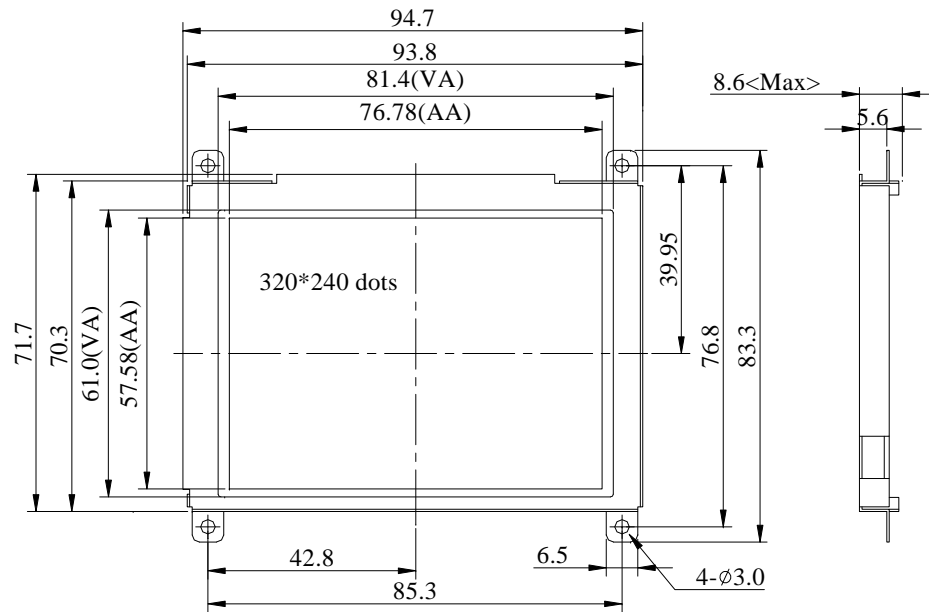
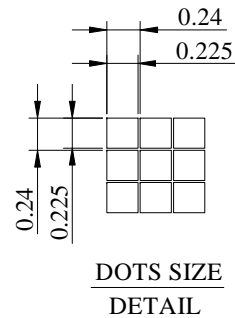


Contour Drawing & Block diagram



CON24	
PIN NO.	SYMBOL
1	VSS
2	VDD
3	VO
4	A0
5	WR
6	RD
7	DB0
8	DB1
9	DB2
10	DB3
11	DB4
12	DB5
13	DB6
14	DB7
15	CS
16	RES
17	VEE+
18	SEL1
19	A
20	K
21	NC
22	NC
23	NC
24	NC
25	NC
26	NC



The non-specified tolerance of dimension is $\pm 0.2\text{mm}$.

