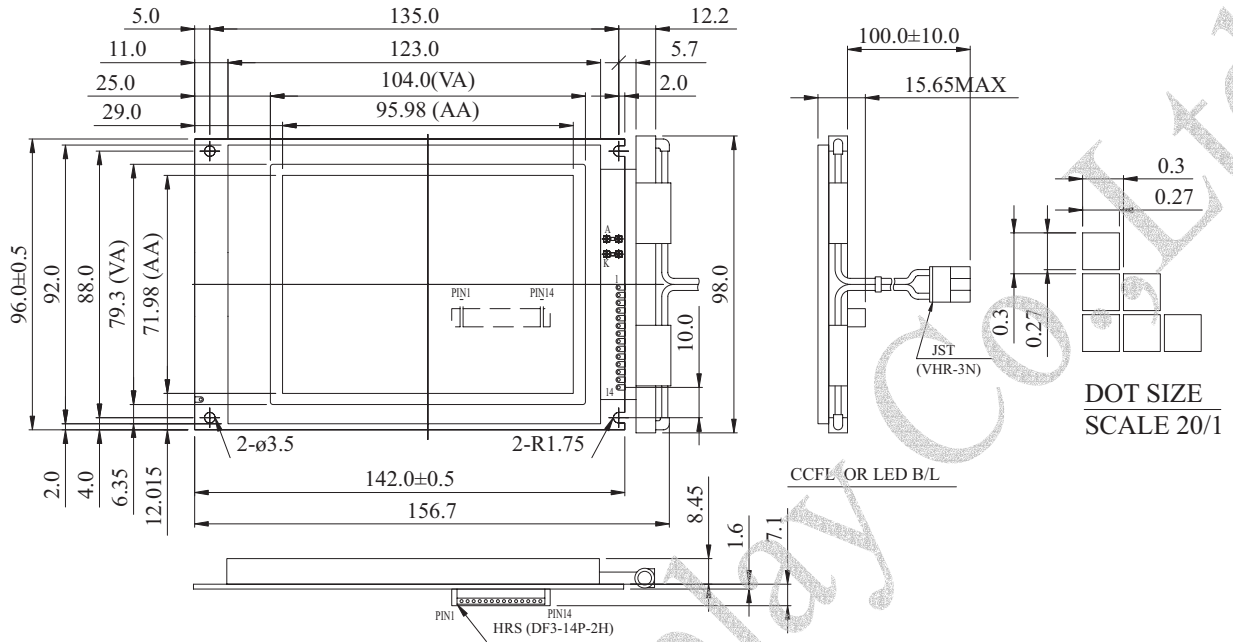




WG320240D Graphic 320x240 dots

Dimension drawing



DOT SIZE
SCALE 20/1

Graphic type

Feature

1. 320X240 dots
2. +5.0V power supply
3. 1/240 duty cycle
4. No controller
5. Touch screen option
6. Controller RA8835 optional (WG320240D0)

Mechanical Data

Item	Standard Value	Unit
Module Dimension	142.0x96.0	mm
Viewing Area	104.0x79.3	mm
Mounting hole	135.0x88.0	mm
Dot Pitch	0.30x0.30	mm

Pin NO.	Symbol	Function
1	FRAME	First line marker
2	DF	Alternate signal
3	LOAD	Data latch
4	CP	Data shift
5	/DISPOFF	H:ON L:OFF
6	D0	Data bus line
7	D1	Data bus line
8	D2	Data bus line
9	D3	Data bus line
10	Vdd	Power supply for logic
11	Vss	Ground
12	Vee	Negative Voltage Output
13	Vo	Driving voltage for LCD
14	FG	Fix hole ground

Absolute Maximum Rating

Item	Symbol	Standard Value			Unit
		min.	typ.	max.	
Power Supply	VDD-VSS	4.75	5.0	5.25	V
Input Voltage	VI	-0.3	---	VDD	V

Note: VSS=0 Volt , VDD=5.0 Volt .

Electronical Characteristics

Item	Symbol	Condition	Standard Value			Unit
			min.	typ.	max.	
Input Voltage	VDD	---	---	5.0	5.5	V
Supply Current	IDD	VDD=5V	---	10.0	15.0	mA
Recommended LC Driving Voltage for Normal Temp. Version module	VDD-VO	-20°C	---	---	26.1	V
		25°C	---	23.8	---	
		70°C	20.9	---	---	
CCFL Starting Voltage	VFLS	25°C	---	600	---	Vrms
CCFL Driving Voltage	VFLD	25°C	---	268	---	Vrms
CCFL Driving Current	IFLD	VFO=450Vrms 30KHZ	---	5.0	---	mAms
LED Forward Voltage	VF	25°C	---	5.0	5.5	V
LED Forward Current	IF	25°C	---	80	---	mA
EL Power Supply Current	IEF	Vel=110VAC;400Hz	---	---	5.0	mA