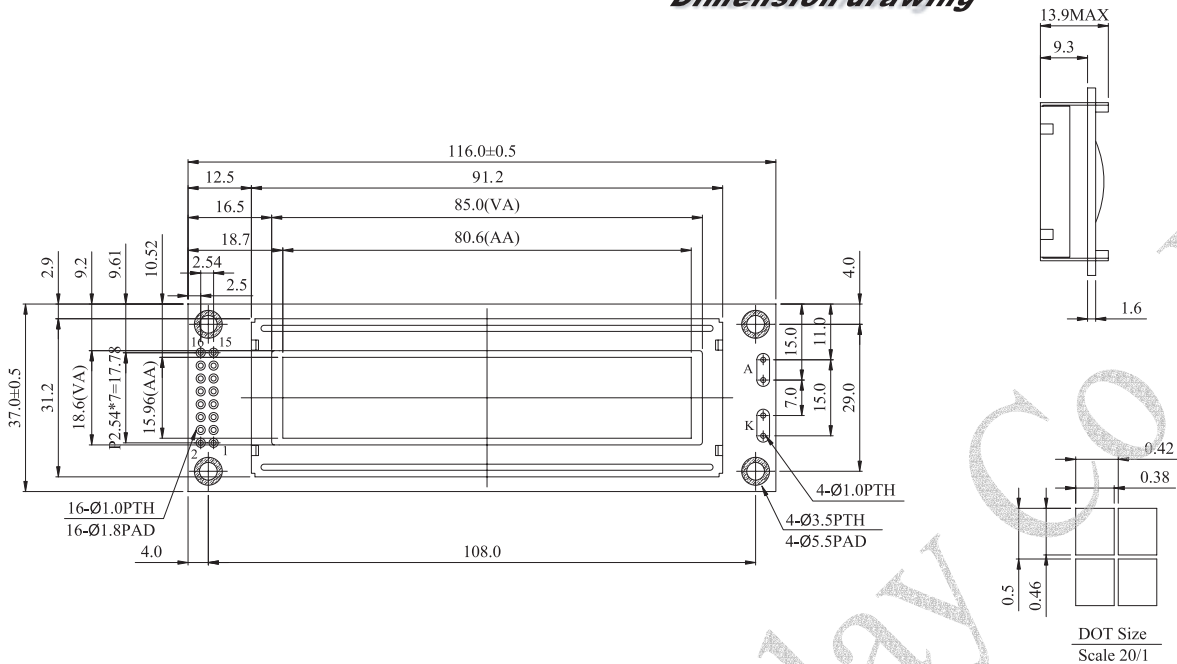




WG19232B Graphic 192x32

Dimension drawing



Feature

1. Built in controller (ST7920)
2. +5V power supply
3. 1/32 duty cycle
4. LED can be driver by PIN 15, PIN16
5. Chinese Version

Mechanical Data

Item	Standard Value	Unit
Module Dimension	116.0x37.0	mm
Viewing Area	84x18.6	mm
Dot Size	0.38x0.46	mm
Dot Pitch	0.42x0.5	mm
Mounting hole	108x29	mm

Graphic type

Pin NO.	Symbol	Function
1	Vss	GND
2	Vdd	Power supply for logic
3	Vo	NC
4	RS	Register select signal
5	R/W	H/L Read/Write signal
6	E	H→L Enable signal
7	DB0	Data bus line
8	DB1	Data bus line
9	DB2	Data bus line
10	DB3	Data bus line
11	DB4	Data bus line
12	DB5	Data bus line
13	DB6	Data bus line
14	DB7	Data bus line
15	A	Power supply for B/L
16	K	Power supply for B/L

Absolute Maximum Rating

Item	Symbol	Standard Value			Unit
		min.	typ.	max.	
Power Supply	VDD-VSS	4.75	5	5.25	V
Input Voltage	VI	0	---	VDD	V

Note : VSS=0 Volt, VDD=5.0 Volt.

Electronical Characteristics

Item	Symbol	Condition	Standard Value			Unit
			min.	typ.	max.	
Input Voltage	VDD	L level	0.7VDD	---	VDD	V
	VIO	H level	0	---	0.3VDD	V
Supply Current	IDD	VDD= +5V	---	2	---	mA
Recommended LC Driving Voltage for Normal Temp. Version module	Vo-Vss	-20°C	---	---	5.2	V
		0°C	---	---	4.8	
		25°C	---	4.5	---	
		50°C	4.7	---	---	
		70°C	3.8	---	---	
LED Forward Voltage	VF	25°C	---	4.2	4.6	V
LED Forward Current	IF	25°C	---	210	420	mA
EL	IEL	Vel=110vAC;400Hz	---	---	---	mA